

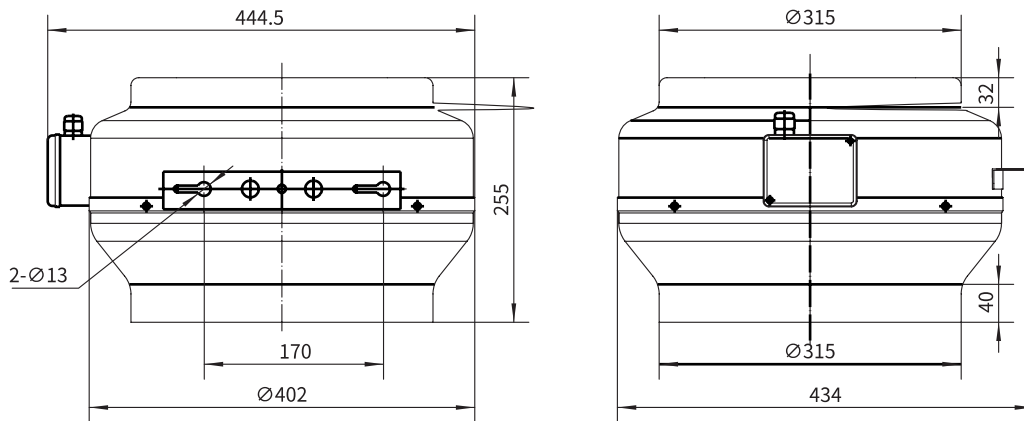


管道风机  
In-line Duct Fan

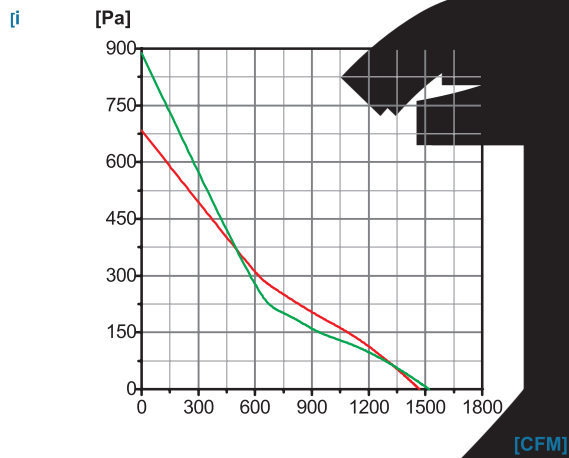
## Φ 315

Rotor Material: Aluminum Die-casting  
 Housing Material: Carbon Steel  
 Ingress Protection: IP44  
 Insulation Class: F  
 Bearing Type: Maintenance Free Ball Bearing

### 产品尺寸图 Dimensional Drawings



### 性能曲线 Performance Curves



Model No.	Voltage	Frequency	Current	Capacitor	Power (W)	Static Pressure (Pa)	Noise	Curve	Working Temp. Min/Max ( )	Approvals
YWF.G2S-315-255AA2A	110/120	60							-30/+60	
YWF.G2S-315-255AA10	220/230	50	0.84			470/864	75		-30/+60	CCC, CE
	220/230	60				520/894	76		-30/+60	CE