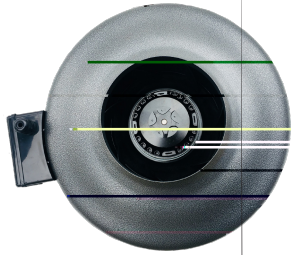




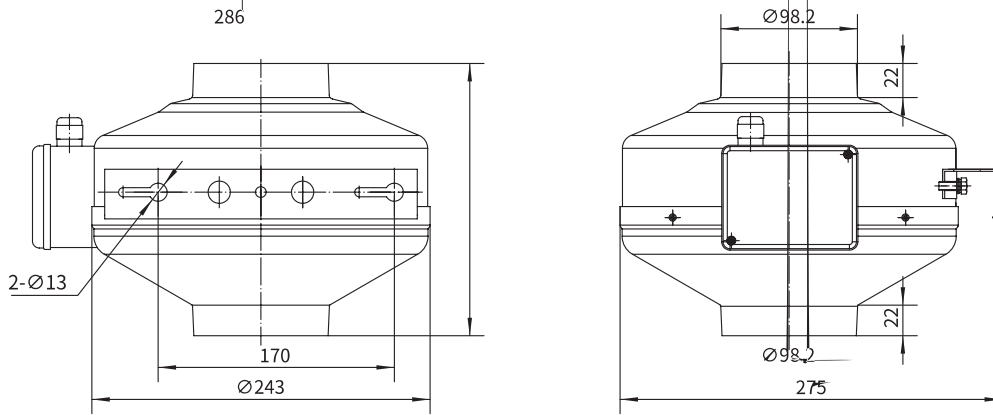
管道风机 In-line Duct Fan



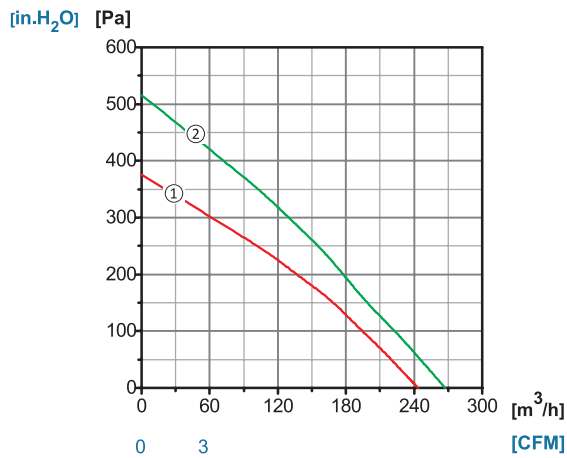
Φ 100

- Rotor Material: Aluminum Die-casting
- Housing Material: Carbon Steel
- Ingress Protection: IP44
- Insulation Class: F
- Bearing Type: Maintenance Free Ball Bearing

产品尺寸图 Dimensional Drawings



性能曲线 Performance Curves



Model No.	Voltage	Frequency	Current	Power	Speed	Capacitor	Air Flow (0 Pa)	Noise	Curve	Working Temp.	Approvals
					RPM	F	[m ³ /h]/[CFM]	dB(A)	No.	Min/Max ()	
YWF.G2S-100-196AA2A	110/120	60	0.57	68	2875	6	275/155	63		-30/+60	
	220/230	50	0.28	61	2610	2.5	250/140	61		-30/+60	CCC, CE
YWF.G2S-100-196AA20	220/230	60	0.35	75	2940	2.5	275/155	63		-30/+60	CE