



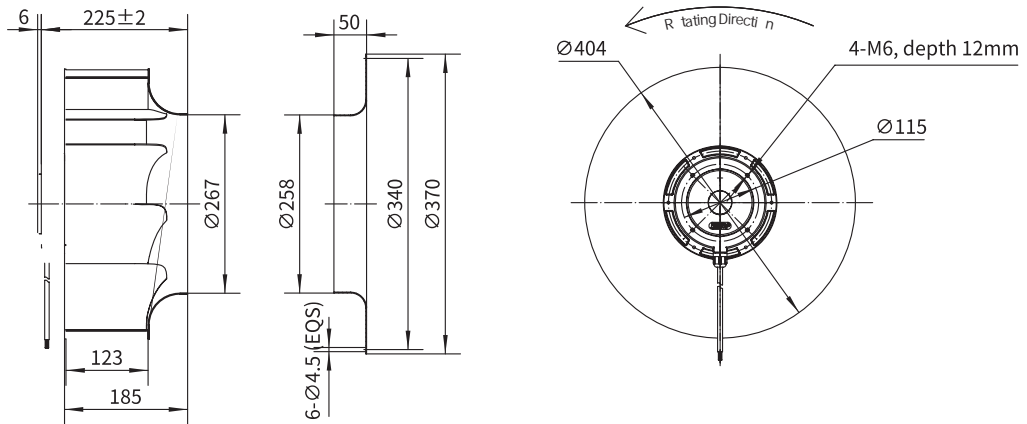
常规金属叶轮后倾离心风机 Backward Curved Centrifugal Fan with Conventional Metal Impeller



Φ 400

Rotor Material: Aluminum Die-casting
Impeller Material: Aluminum Alloy
Ingress Protection: IP54
Insulation Class: F
Bearing Type: Maintenance Free Ball Bearing

产品尺寸图 Dimensional Drawings



性能曲线 Performance Curves



Model No.	Voltage	Frequency	Current	Power	Speed RPM	Capacitor	Static Pressure (Pa)	Efficiency	Curve	Working Temp. Min/Max ()	Approvals
YWF.B4S-400-188AB20	220/230	50	1.50	320	1380					-30/+60	CCC, CE
YWF.B4T-400-188AB20	380/400	50	0.96	370	1370	/	4100/2411	66		-30/+60	CCC, CE