



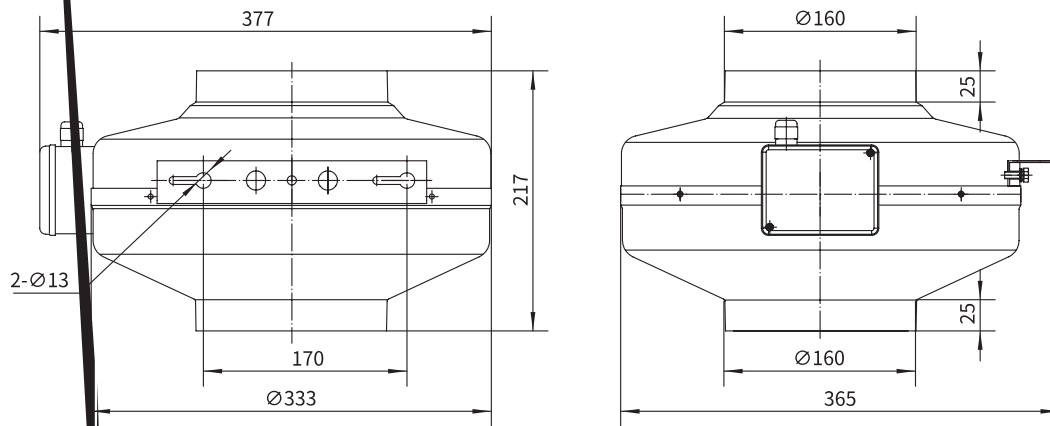
管道风机
In-line Duct Fan

Insulation Class: F

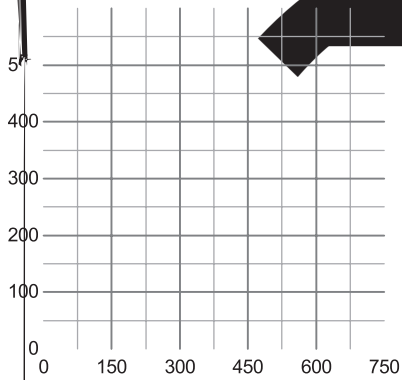
Bearing Type:

Maintenance Free Ball Bearing

产品尺寸图 Dimensional Drawings



性能曲线 Performance Curves



Model No.	Voltage	Frequency	Current	Capacity (0 Pa)	Power	Working Temp.	Appro.
						lin/Max ()	
YWF.G2S-160-217AA0A	110/120	60					
YWF.G2S-160-217AA20	220/230	50	0.52				
	220/230	60	0.70	150	2430	715/420	-30/+60 CE