

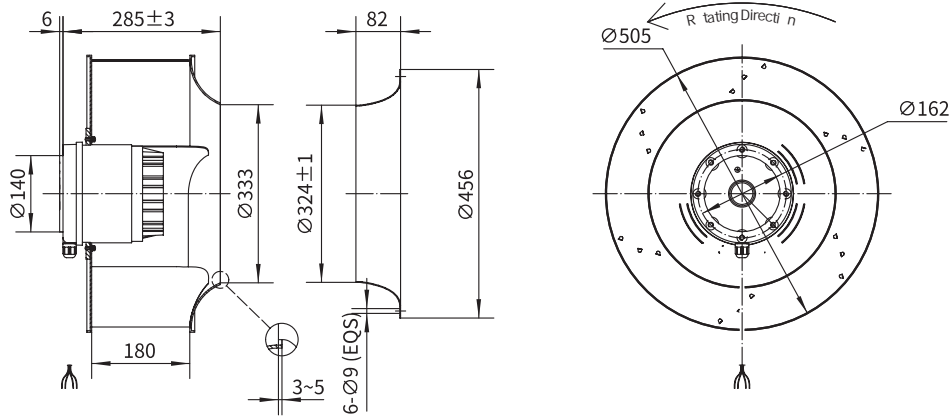


# 常规金属叶轮后倾离心风机 Backward Curved Centrifugal Fan with Conventional Metal Impeller

## Φ 500

Rotor Material: Aluminum Die-casting  
Impeller Material: Aluminum Alloy  
Ingress Protection: IP54  
Insulation Class: F  
Bearing Type: Maintenance Free Ball Bearing

### 产品尺寸图 Dimensional Drawings



### 性能曲线 Performance Curves