



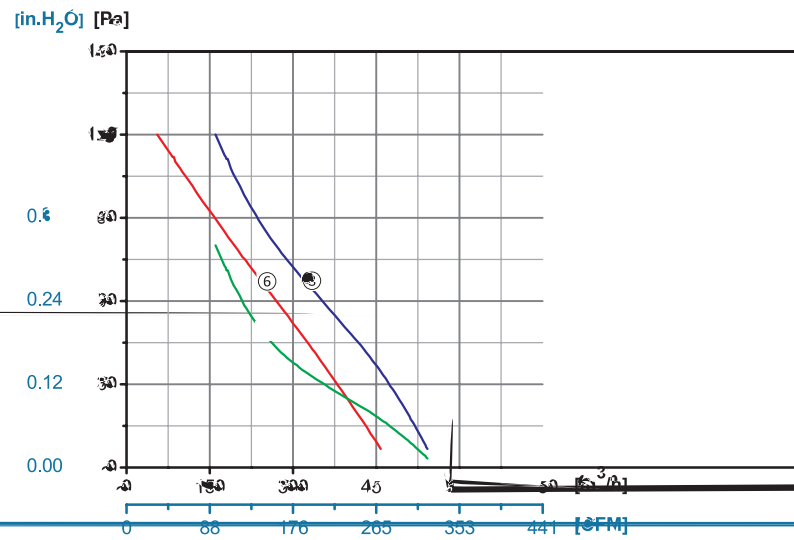
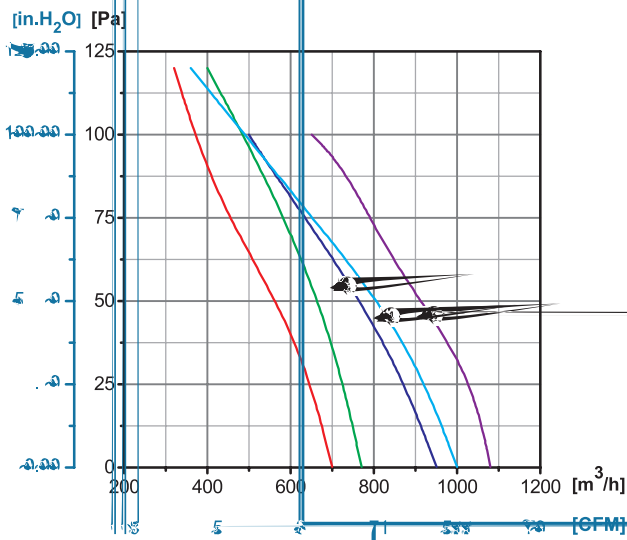
常规金属叶片轴流风机
Conventional Carbon Steel Blade Axial Fan

ErP2015
EXCEEDS THE NORM

Φ200

Rotor Material: Aluminum Die-casting
Impeller Material: Carbon Steel
Ingress Protection: IP44
Insulation Class: F
Bearing Type:
Maintenance Free Ball Bearing

性能曲线 Performance Curves

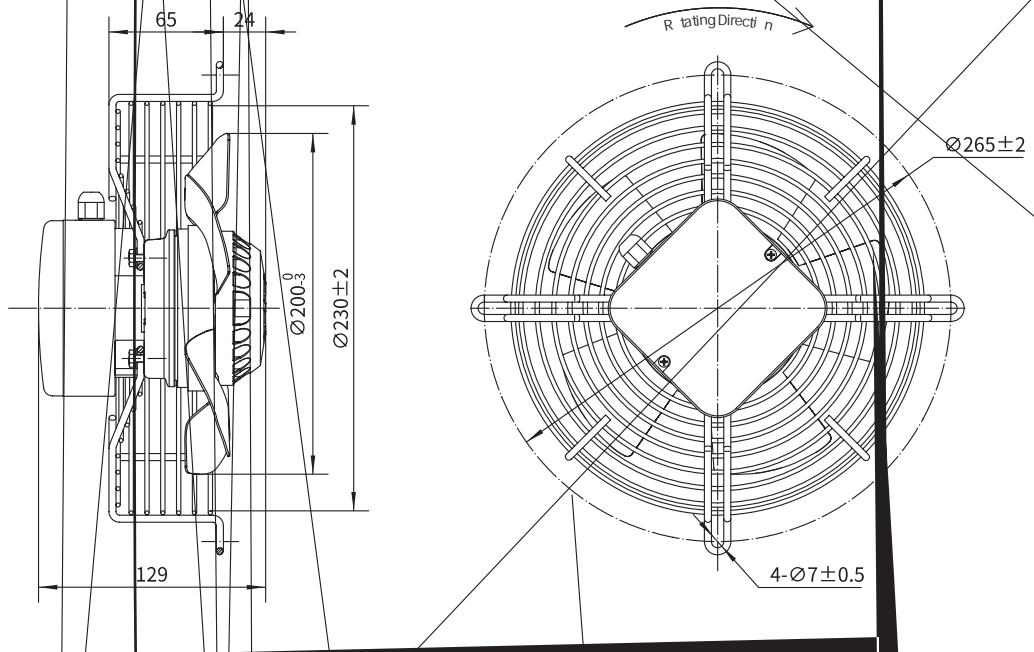




常规金属叶片轴流风机
Conventional Carbon Steel Blade Axial Fan

Φ200

D 型网罩 Type D





2]•eO (\$FOccARL,N
\$POW 4UFFM #MBEF "YJBM

4

260±0.5