



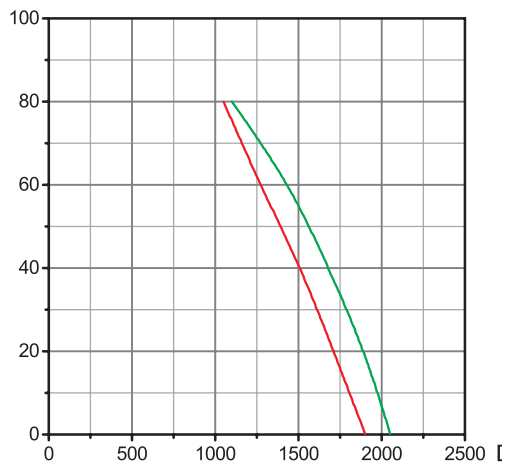
常规金属叶片轴流风机
Conventional Carbon Steel Blade Axial Fan

ErP2015
EXCEEDS THE NORM

Φ300

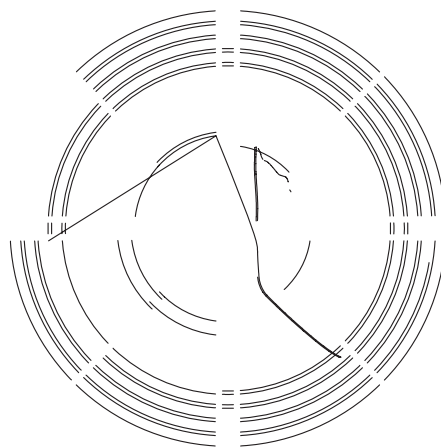
Rotor Material: Aluminum Die-casting
Impeller Material: Carbon Steel
Ingress Protection: IP44
Insulation Class: F
Bearing Type: Maintenance Free Ball Bearing

性能曲线 Performance Curves



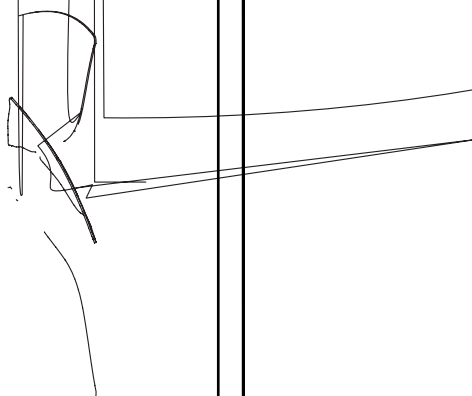
B 型网罩 Type B

Rotating Direction →



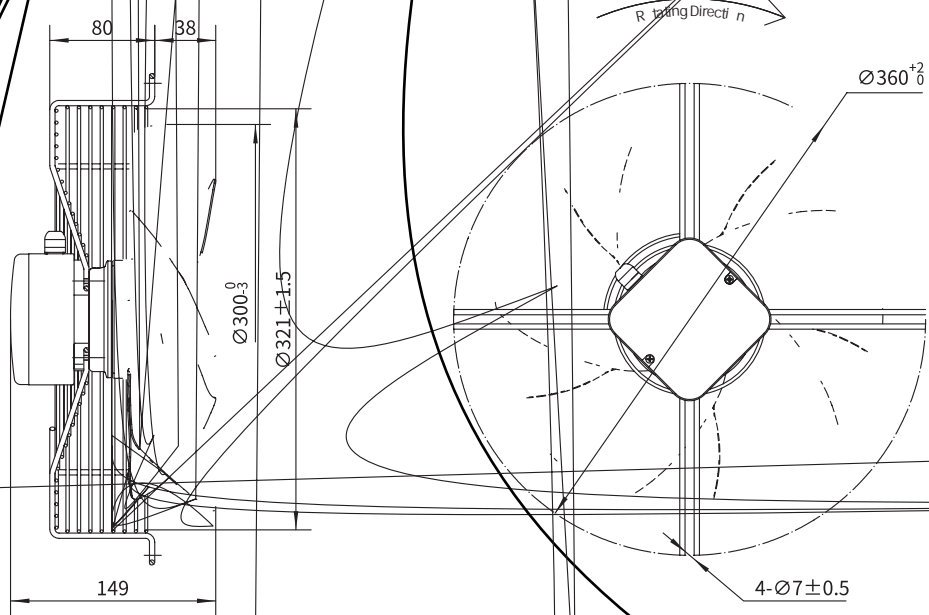
C 型网罩 Type C

Rotating Direction →

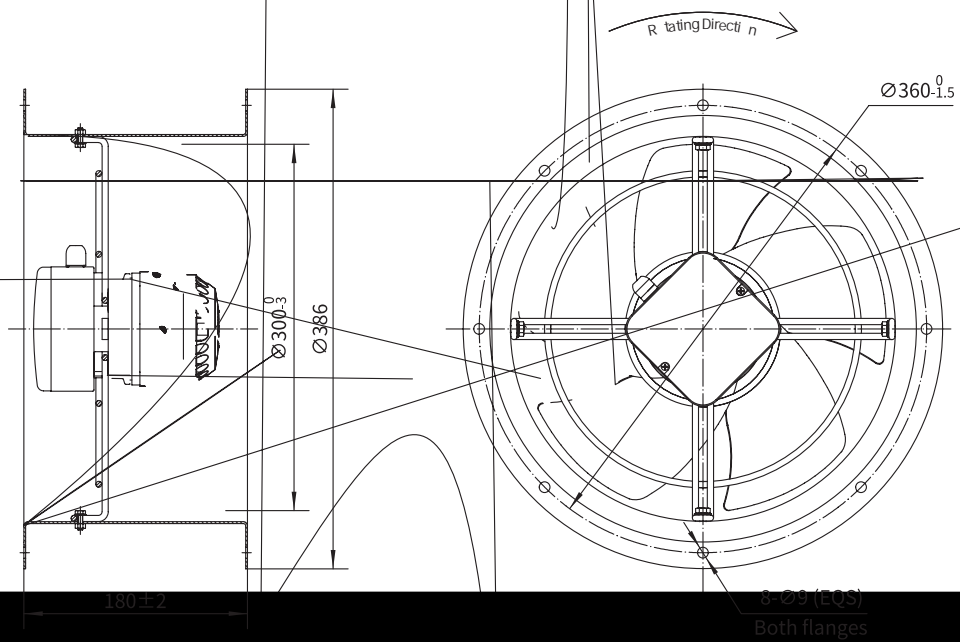


金属叶片轴流风机
 Conventional Carbon Steel Blade Axial Fan

Φ300



e E





Conv. Steel Blade Axial

4

