

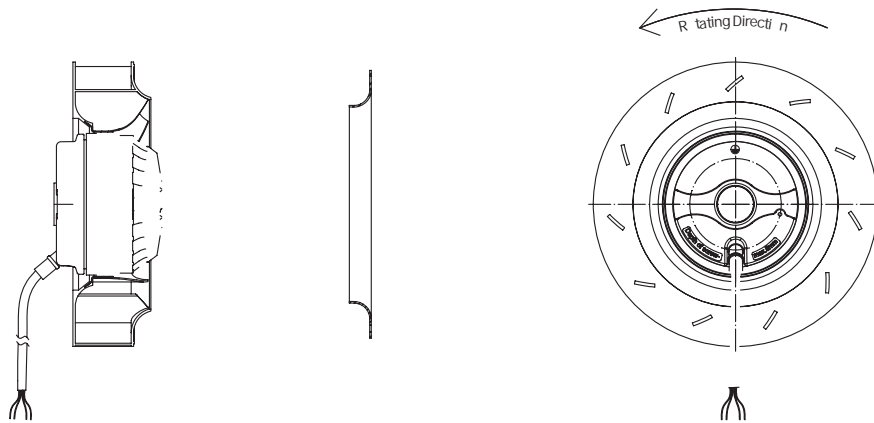


常规塑料叶轮后倾离心风机
Backward Curved Centrifugal Fan with Conventional Plastic Impeller

Φ 180

Rotor Material: Aluminum Die-casting
Impeller Material: Plastic
Ingress Protection: IP44
Insulation Class: F
Bearing Type: Maintenance Free Ball Bearing

产品尺寸图 Dimensional Drawings



性能曲线 Performance Curves